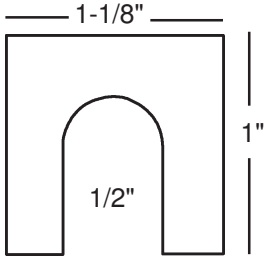


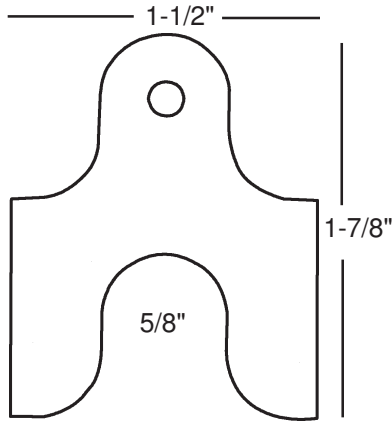
# SHIMS - BODY, FENDER & ALIGNMENT

Shims



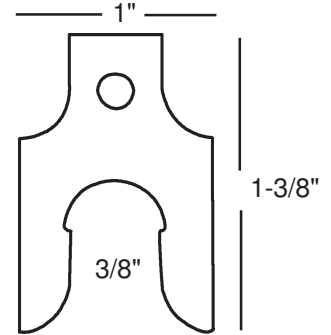
PRODUCT NUMBER	THICKNESS
<b>335050</b> .....	1/64"
<b>335080</b> .....	1/32"
<b>335170</b> .....	1/16"
<b>335280</b> .....	1/8"
<b>335370</b> .....	3/16"

Box Qty. 50



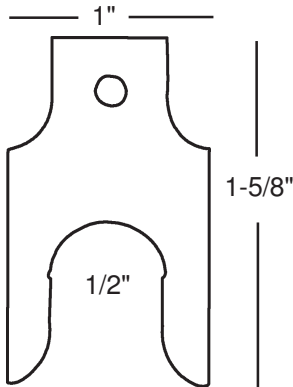
PRODUCT NUMBER	THICKNESS
<b>335060</b> .....	1/64"
<b>335090</b> .....	1/32"
<b>335180</b> .....	1/16"
<b>335185</b> .....	1/8"

Box Qty. 50



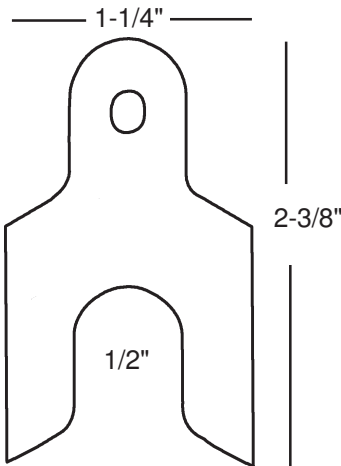
PRODUCT NUMBER	THICKNESS
<b>335100</b> .....	1/32"
<b>335200</b> .....	1/16"
<b>335300</b> .....	1/8"

Box Qty. 50



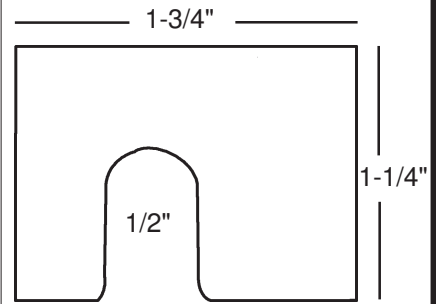
PRODUCT NUMBER	THICKNESS
<b>335210</b> .....	1/16"
<b>335020</b> .....	1/8"

Box Qty. 50



PRODUCT NUMBER	THICKNESS
<b>335220</b> .....	1/16"
<b>335310</b> .....	1/8"

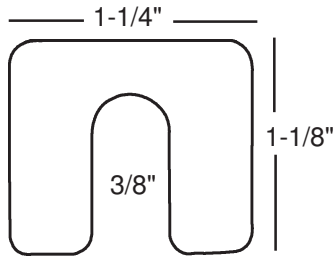
Box Qty. 50



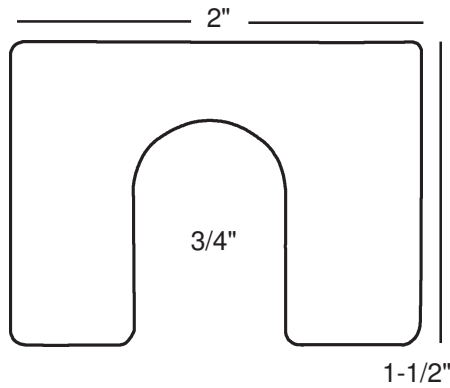
PRODUCT NUMBER	THICKNESS
<b>335010</b> .....	1/8"

Box Qty. 50

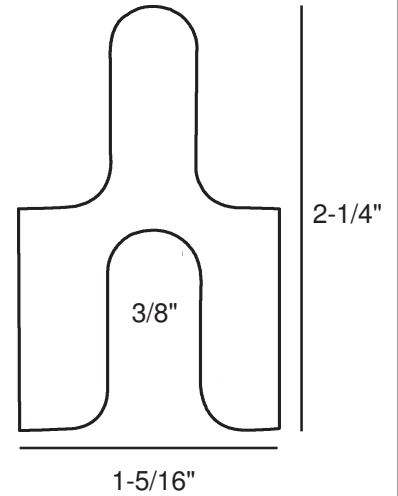
# SHIMS - BODY, FENDER & ALIGNMENT



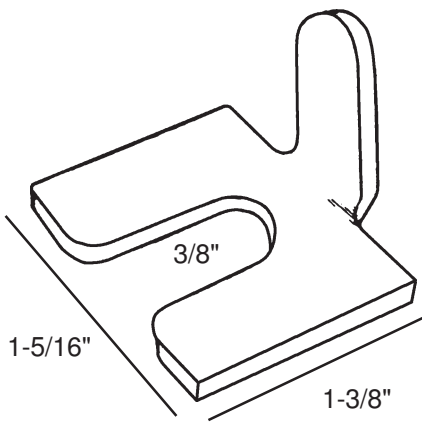
PRODUCT NUMBER	THICKNESS
<b>335150</b> .....	1/16"
<b>335270</b> .....	1/8"
Box Qty. 100	



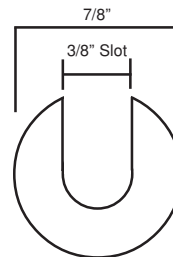
PRODUCT NUMBER	THICKNESS
<b>335260</b> .....	1/8"
Box Qty. 50	



PRODUCT NUMBER	THICKNESS
<b>335025</b> .....	1/16"
<b>335030</b> .....	1/8"
Box Qty. 50	



PRODUCT NUMBER	THICKNESS
<b>335250</b> .....	1/16"
Box Qty. 50	



## C-TYPE SHIMS

These C-Type body shims work well in areas that require the shim to remain virtually unseen.

Prod. No.	Size*	Pkg. Qty.
<b>335285</b> .....	1/16"	50
<b>335286</b> .....	1/16"	250
<b>335287</b> .....	1/16"	500

\* Thickness

Prod. No.	Size*	Pkg. Qty.
<b>335290</b> .....	1/8"	50
<b>335291</b> .....	1/8"	250
<b>335292</b> .....	1/8"	500

\* Thickness

Shims